

尺寸
Size
20 ~ 530



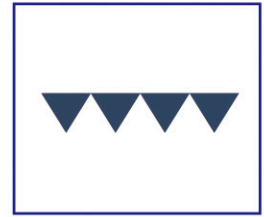
重量
Weight
125 ~ 7950 g



模組厚度
Thickness
10 MM



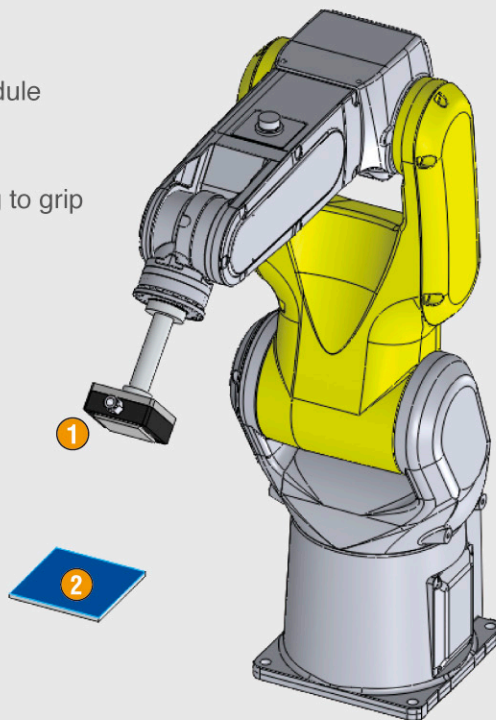
平整度
Flatness
0.02 ~ 0.1 MM



表面粗糙度
Surface roughness
0.05 ~ 0.8 z



- 1 CVM 高密度陶瓷真空吸盤模組
CVM ceramic vacuum suction module
- 2 吸取之加工件
The work piece which you're going to grip



應用領域

- 吸取平面工件專用陶瓷真空吸盤模組。
- 吸付達一半面積後就不會破真空狀況，達到同一模組可吸取各式各樣工件。
- 適用於機台製作或工廠生產、組裝及自動化產業的乾淨環境。

你的優勢

- 平整度:0.01-0.05mm。
- 吸付達一半面積後就不會破真空狀況，達到同一模組可吸取各式各樣工件。
- 雙氣孔設計:可安裝吸真空及吹氣功能。
- 需搭配真空源來做使用。

Applications

- Ceramic vacuum gripping module, special for gripping flat work piece.
- If gripping half of the area can be maintained, then the ceramic gripper won't lose the work piece. Several work pieces can use same ceramic gripper.
- Best for clean environment of machine production or factory production, assemble and automation industry.

Your advantage

- Flatness: 0.01-0.05mm.
- If gripping half of the area can be maintained, then the ceramic gripper won't lose the work piece. Several work pieces can use same ceramic gripper.
- Dual vent design: can install vacuum suction and blowing function.
- A vacuum source is needed to operate the gripper.

CVM系列簡介

- 外殼材質：鋁合金，超硬陽極處理
- 素材材質：多孔式陶瓷真空吸盤
- 驅動方式：真空吸付(負壓)
- 保固：3個月

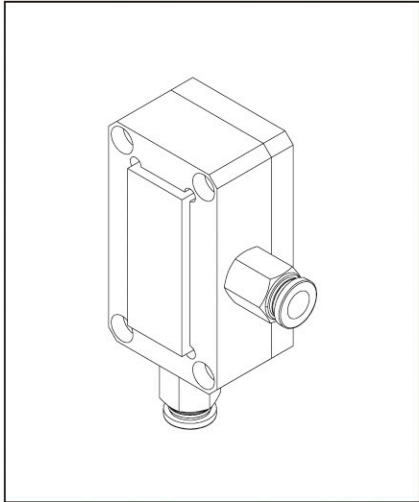
CVM Series Introduction

- Shell material: Aluminum alloy, hard anodized
- Material: Porous ceramic vacuum gripper
- Drive: Pneumatic: Vacuum sucking (negative pressure)
- Warranty: 3 months

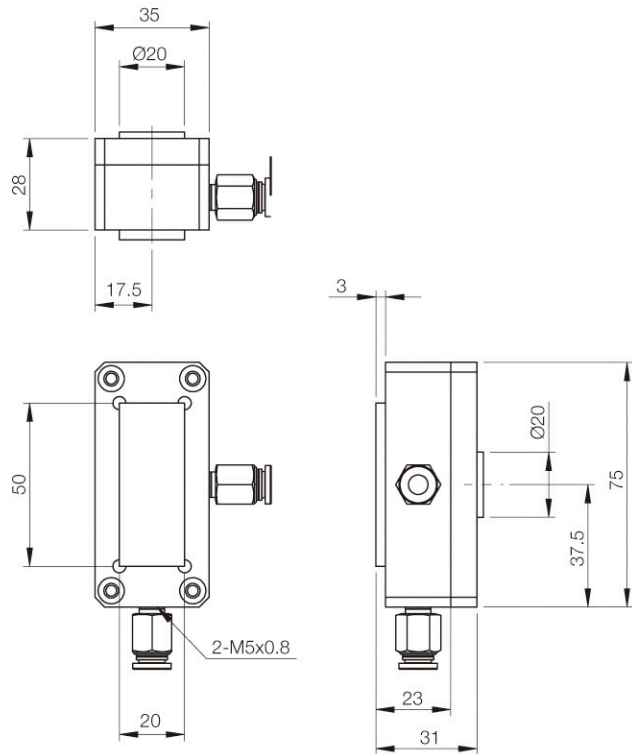


外觀尺寸圖 Dimensions

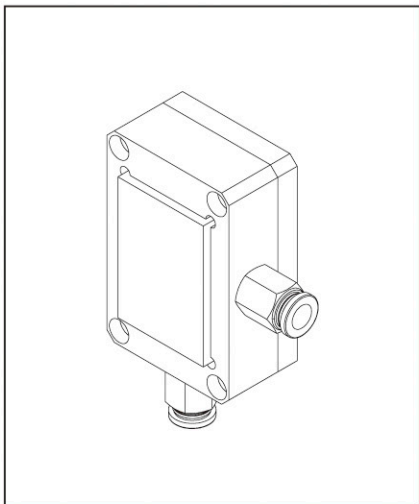
50x20mm (5x2公分)



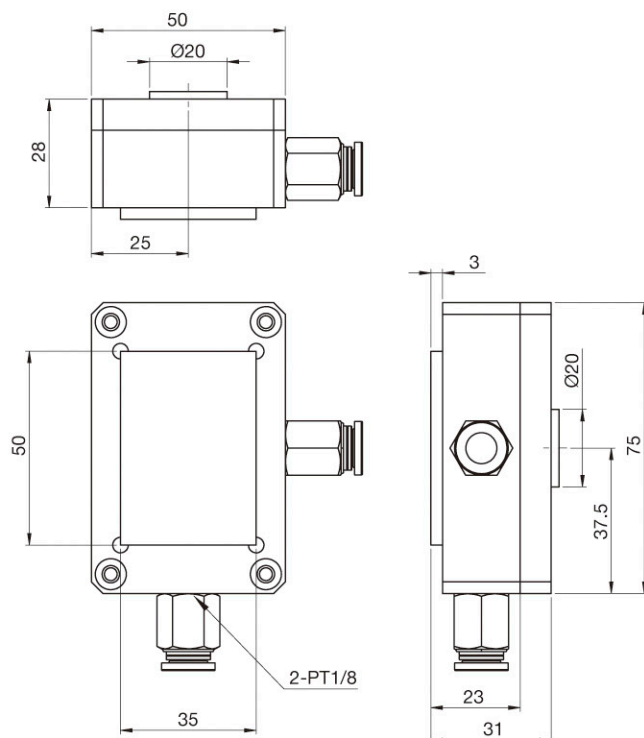
陶瓷尺寸 Ceramic size:
50x20mm (5x2公分)
ID:CVM-50X20



50x35mm (5x3.5公分)

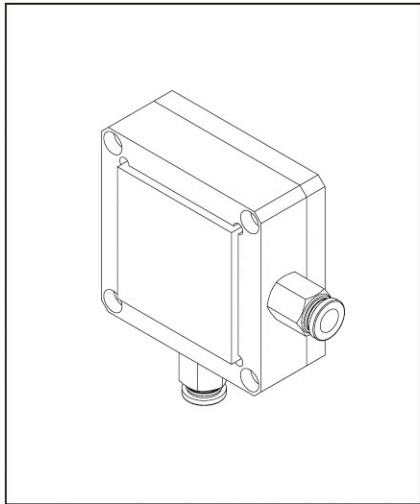


陶瓷尺寸 Ceramic size:
50x35mm (5x3.5公分)
ID:CVM-50X35

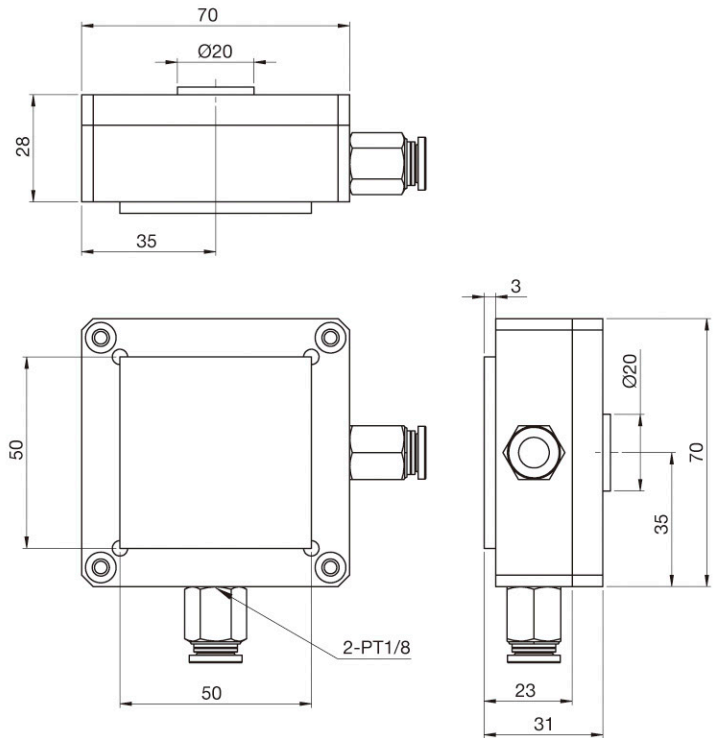


外觀尺寸圖 Dimensions

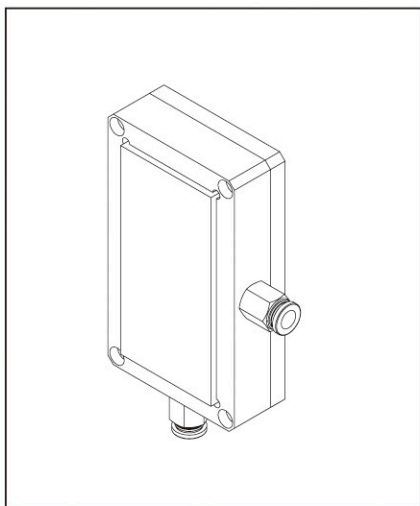
50x50mm (5x5公分)



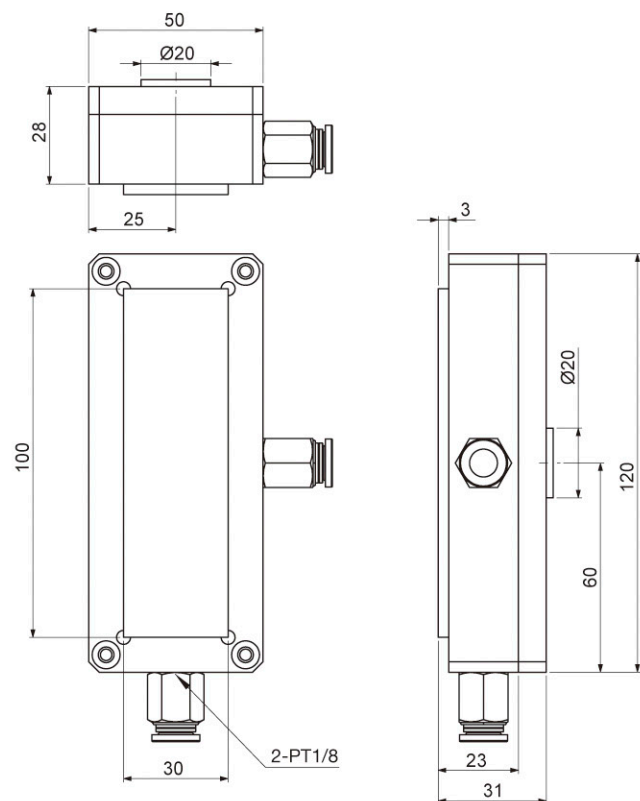
陶瓷尺寸 Ceramic size:
50x50mm (5x5公分)
ID:CVM-50X50



100x30mm (10x3公分)



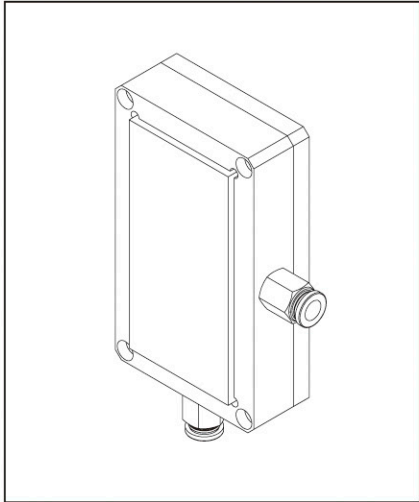
陶瓷尺寸 Ceramic size:
100x30mm (10x3公分)
ID:CVM-100X30



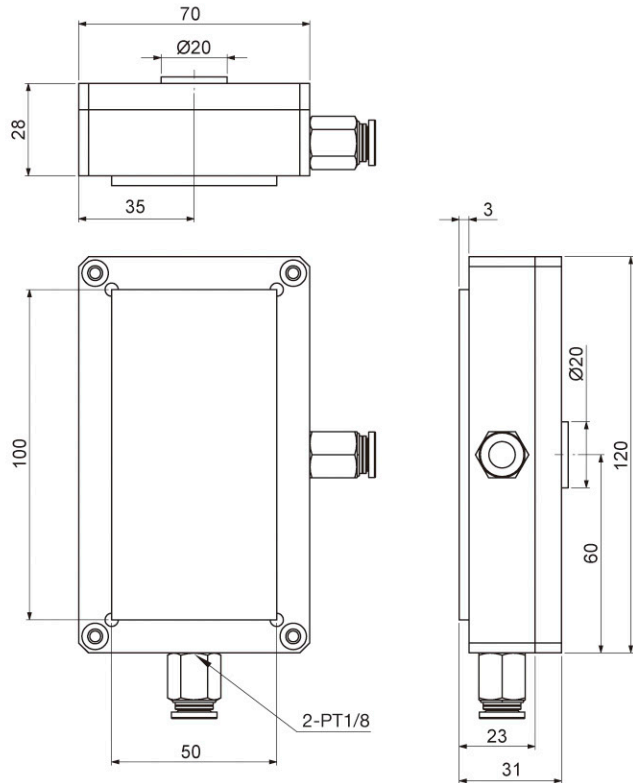
CVM TYPE

外觀尺寸圖 Dimensions

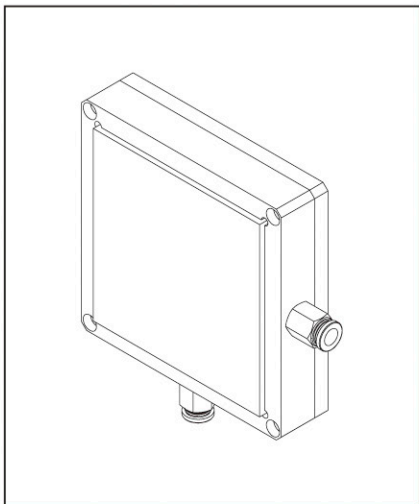
100x50mm (10x5公分)



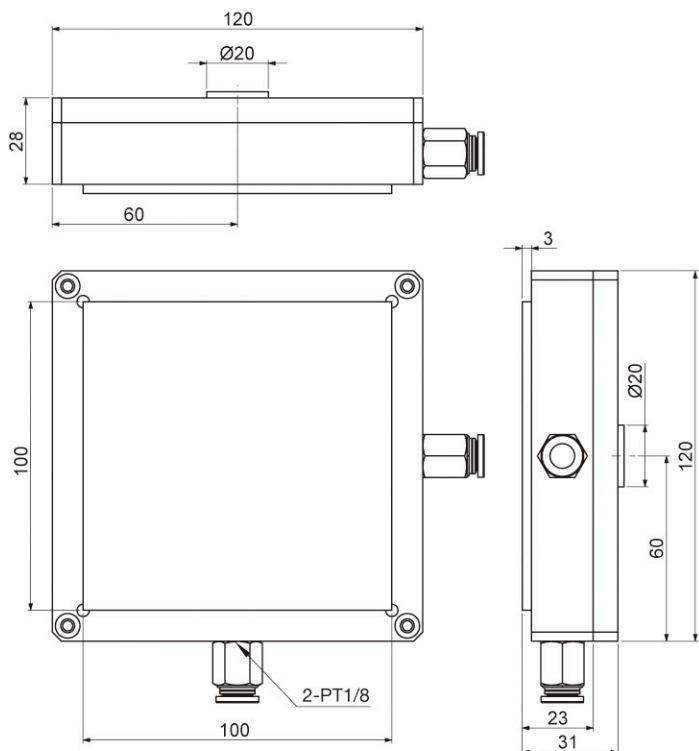
陶瓷尺寸 Ceramic size:
100x50mm (10x5公分)
ID:CVM-100X50



100x100mm (10x10公分)

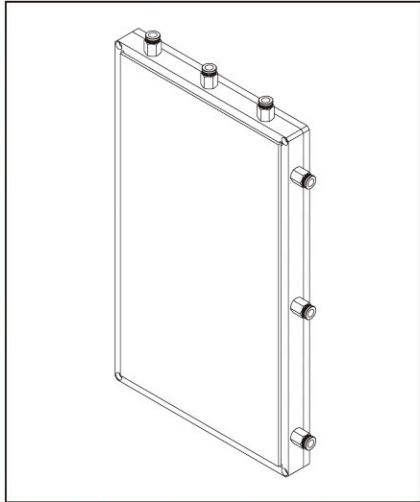


陶瓷尺寸 Ceramic size:
100x100mm (10x10公分)
ID:CVM-100X100

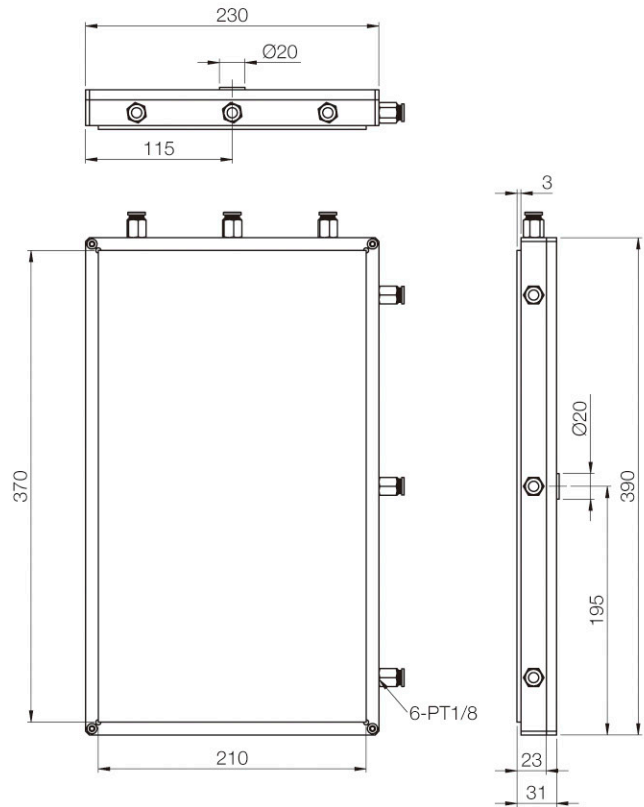


外觀尺寸圖 Dimensions

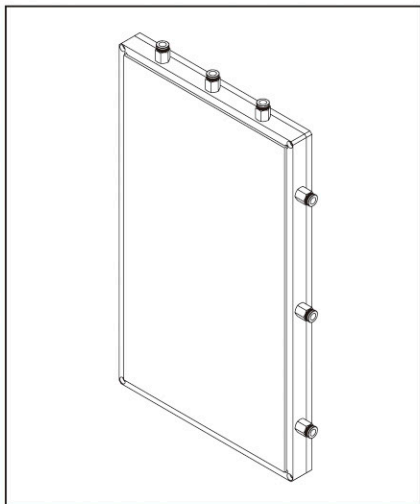
370x210mm (37x21公分)



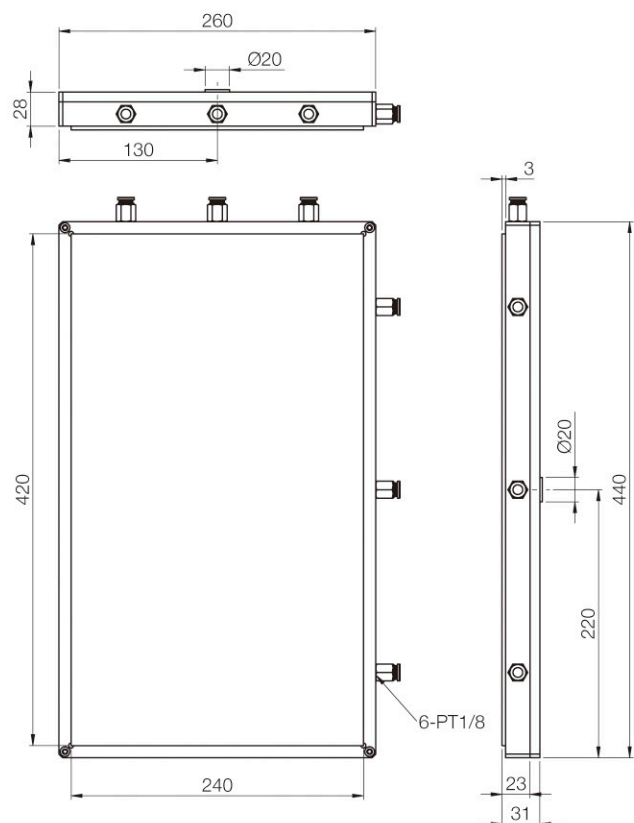
陶瓷尺寸 Ceramic size:
370x210mm (37x21公分)
ID:CVM-370X210



420x240mm (42x24公分)

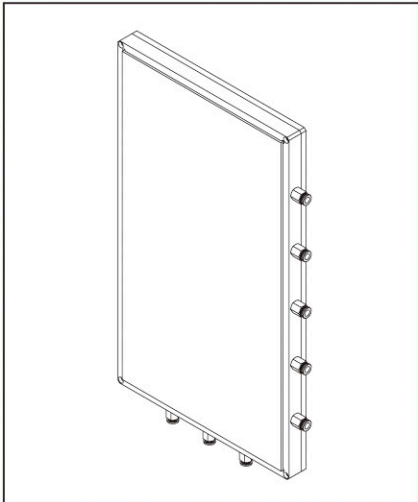


陶瓷尺寸 Ceramic size:
標準面板19吋-
420x240mm (42x24公分)
ID:CVM-420X240

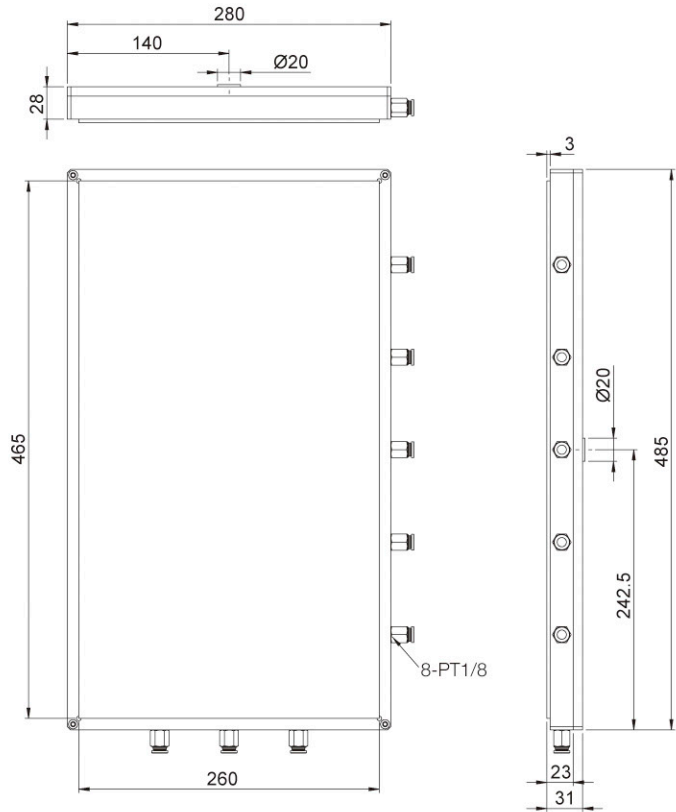


外觀尺寸圖 Dimensions

465x260mm (46.5x26公分)



陶瓷尺寸 Ceramic size:
標準面板21吋-
465x260mm (46.5x26公分)
ID:CVM-465X260



530x300mm (53x30公分)



陶瓷尺寸 Ceramic size:
標準面板24吋-
530x300mm (53x30公分)
ID:CVM-530X300

